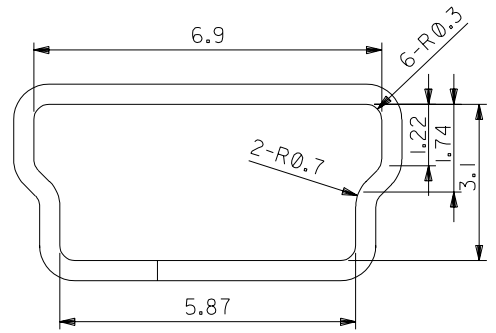
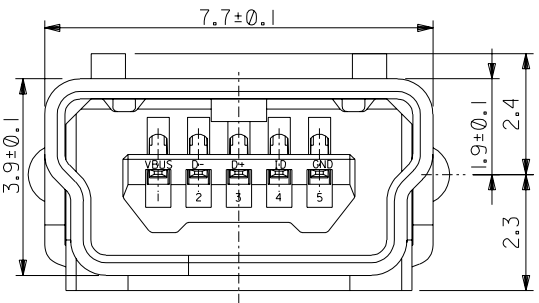
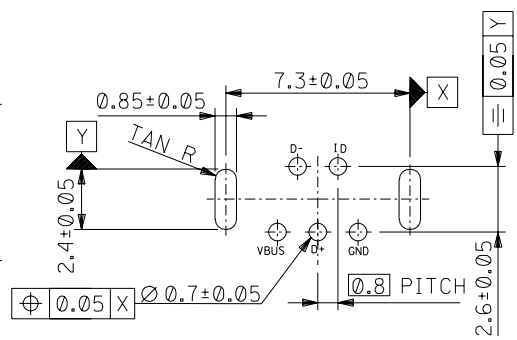


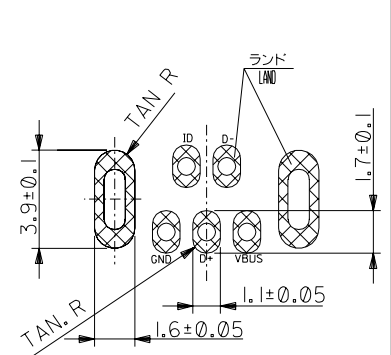
DWG. NO. SD-500075-007



DETAIL FRONTAGE



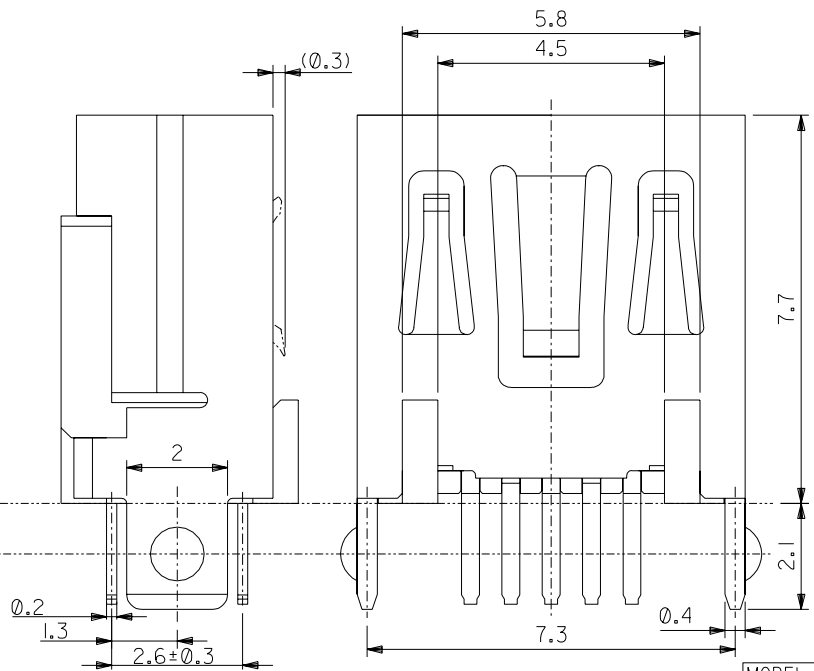
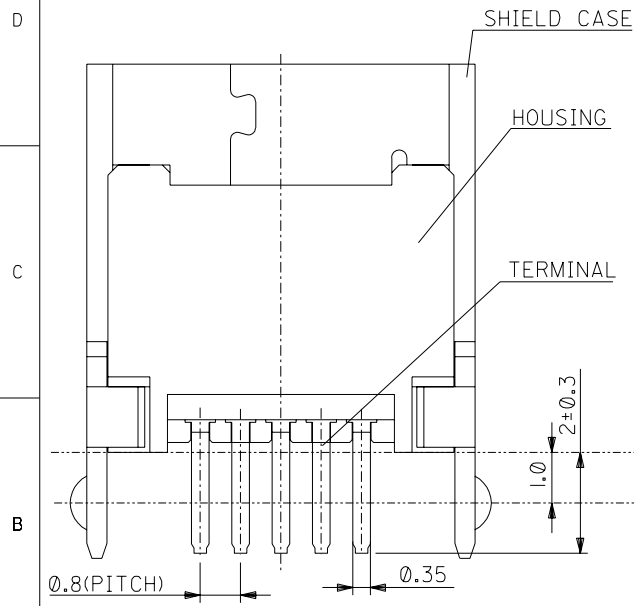
コネクタ実装側 (CONNECTOR MOUNT SIDE)



逆側 (REVERSE SIDE)

推奨基板寸法

RECOMMENDED P.C.B. PATTERN LAYOUT



注記  
NOTES

- 材質  
MATERIAL  
ハウジング:耐熱樹脂 ガラス充填,黒色,UL94V-0  
HOUSING:HEAT RESISTANT PLASTIC, GLASS FILLED,BLACK,UL94V-0  
ターミナル:銅合金 (t=0.2)  
TERMINAL:COPPER ALLOY(t=0.2)  
シールド ケース:銅合金 (t=0.4)  
SHIELD CASE:COPPER ALLOY(t=0.4)
- メッキ仕様  
PLATING  
ターミナル TERMINAL  
接点部:金メッキ  
CONTACT AREA:GOLD  
半田付け部:錫メッキ  
SOLDER TAIL AREA:TIN  
下地部:ニッケルメッキ  
UNDER PLATING:NICKEL  
シールド ケース SHIELD CASE  
錫メッキ  
TIN  
下地部:ニッケルメッキ  
UNDER PLATING:NICKEL
- 本製品は500075-0519の鉛フリー品である。  
THIS PRODUCT IS LEAD FREE OF 500075-0519.

DO NOT SCALE DRAWING

168 NO. DRAWN: CH'K: APP'R:	163 NO. DRAWN: CH'K: APP'R:	162 NO. DRAWN: CH'K: APP'R:	161 NO. DRAWN: CH'K: APP'R:	RELEASED 160 NO. J2004-3443 DRAWN: H.KAWABATA '04/03/30 CH'K: K.TOJO '04/03/30 APP'R: M.SASAO '04/03/30	MATERIAL 材料 SEE NOTES  FINISH 仕上げ SEE NOTES  WIRE RANGE 適用線径範囲 — # —  INS. RANGE 被覆外径 — # —	GENERAL TOLERANCES: (UNLESS SPECIFIED) 一般公差 10 UNDER 未満 ±0.2 10 OVER 以上 30 UNDER 未満 ±0.25 30 OVER 以上 ±0.3 ANGLE 角度 ±3°	SCALE 10 : 1 DESIGN UNITS <input checked="" type="checkbox"/> mm <input type="checkbox"/> INCH DRAWN BY & DATE H.KAWABATA '04/03/30 CHECKED BY & DATE K.TOJO '04/03/30 APPROVED BY & DATE H. Sasao '04/03/30 CAD FILENAME SD-500075-007.S01	MODEL NO. 500075-0517 DIMENSIONS: <input type="checkbox"/> mm <input type="checkbox"/> INCH <input checked="" type="checkbox"/> mm ONLY <input type="checkbox"/> mm <input type="checkbox"/> INCH TITLE: USB SERIES MINI-B STRAIGHT TYPE 2 RECEPTACLE ASS'Y -LEAD FREE- MOLEX MOLEX INCORPORATED	SHT 1 OF 1 REV 1 MATERIAL NO. SEE CHART DRAWING NO. SD-500075-007 SHEET NO. 1 OF 1
-----------------------------------	-----------------------------------	-----------------------------------	-----------------------------------	---	---	--	---	---	--